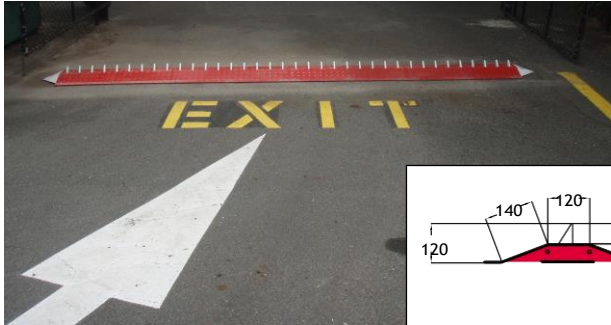


POLITE ENTERPRISES CORPORATION

ONE WAY SLOW-GO Speed Control System

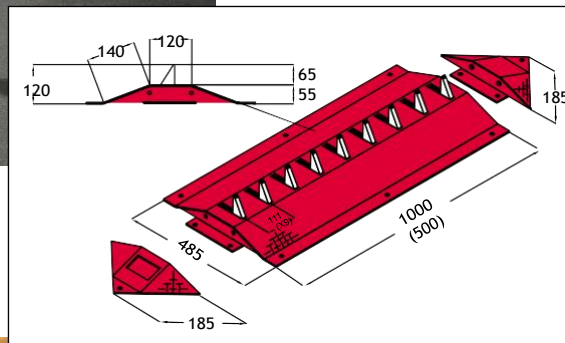
One Way SLOW-GO Speed Control Systems provide a versatile and totally controllable traffic flow. Available in above or below ground models; both systems require no power.

The one-way system is extremely cost effective, and can eliminate the need for boom gates or security gates, providing uninterrupted access from one direction.



SPECIFICATIONS

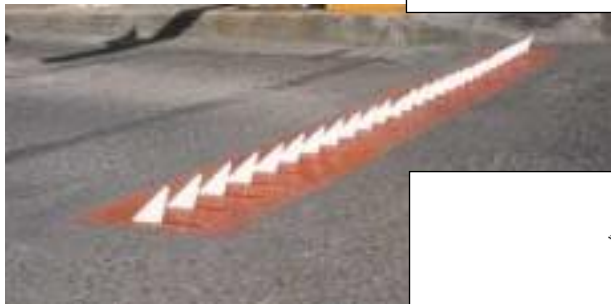
Height: - 120mm (Spikes up)
Height: - 55mm (Spikes down)
Width: - 485mm
Length: - 1,000mm (500mm)



ABOVE GROUND ONE-WAY SYSTEM

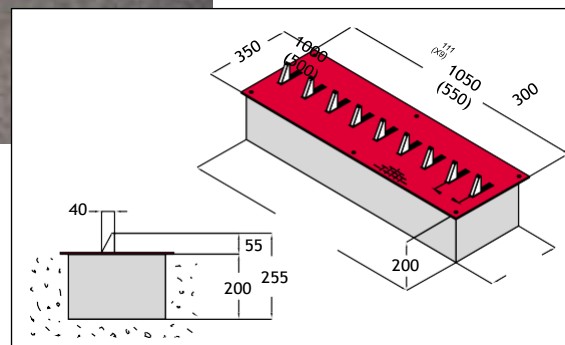
The heavy duty above ground system offers all the features of the very successful SLOW-GO system controlling the direction of standard vehicles through to buses and semi-trailers. All control teeth work independently to assure maximum security.

The system simply is fixed to the existing road surface, using a suitable asphalt fastener system (such as fixing 005). This system functions also as a speed hump to control traffic speed. If the asphalt surface is not suitable or there is no suitable finished surface then a concrete pad is required where a concrete fastener system can be applied (such as fixing 006).



SPECIFICATIONS

Height: - 55mm (Spikes up)
Width: - 350mm
Length: - 1,050mm (550mm)



IN-GROUND ONE-WAY SYSTEM

The heavy duty in-ground system is specifically designed to cater for heavier truck traffic. This system utilises larger, counter weighted heavy-duty control teeth.

These units are designed for transport depots, shipping terminals, quarries, tips and similar environments. Installation requires the 1 metre modules to be concreted below the road surface. The heavy-duty face plate can be removed from each module to obtain access to the in-ground unit, should maintenance or cleaning be required.



Fixing 005



Fixing 003



MANUAL LOCKDOWN ONE-WAY SYSTEM

The manual lockdown one-way speed control system provides changing traffic directions as required. At any point the control teeth can be manually raised or lowered to suit your specific traffic flow requirements. Lock teeth down for normal two-way traffic or raise teeth to prevent traffic flow in one direction.

The One Way SLOW-GO Speed Control System:

- Prevents wrong-way traffic
- Positive enforcement in one direction
- Smooth traffic flow in other direction
- Prevents unauthorised entry/exit
- Highly visible red modules to clearly distinguish one way speed control systems from standard black and yellow type speed humps.

Victoria
274 Wolsley Place, Thomastown
VIC 3074
T: 03 9462 7400 F: 03 9462 7411
E: info@polite.com.au

New South Wales
Australian Capital Territory
8/28 Garling Rd, Kings Park NSW 2148 T:
02 9831 2855 F: 02 9831
2822 E: info@polite.com.au

Queensland
3972 Pacific Highway, Loganholme QLD
4129 T: 07 3387 0160
F: 07 3387 0159
E: info@polite.com.au

South Australia, Western Australia
Northern Territory, Tasmania
T: 1800 069 784
E: info@polite.com.au

