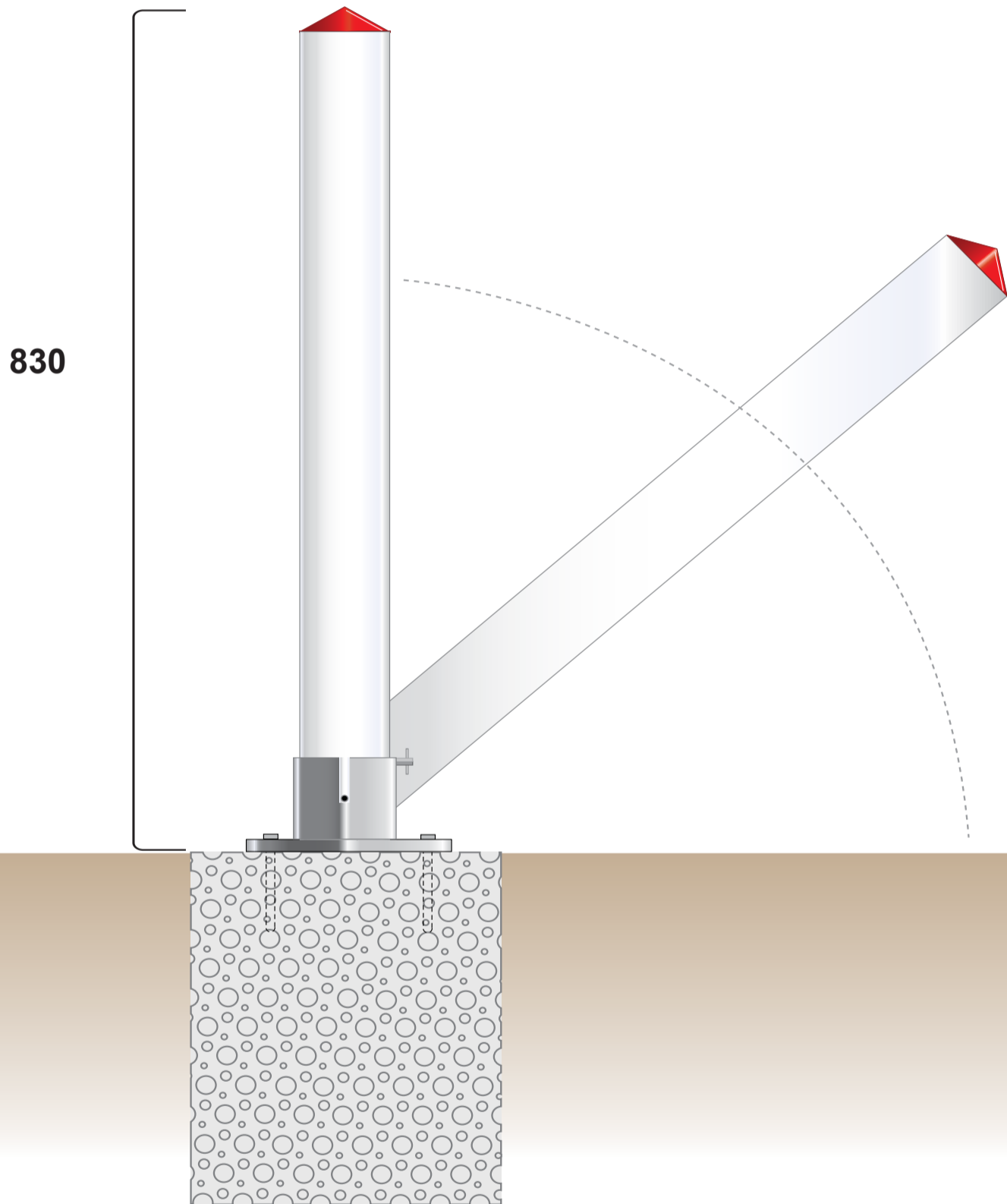




POLITE ENTERPRISES CORPORATION

polite.com.au

BOLLARDS



Specifications

Material:	Galvanised Steel	Base Plate:	200 x 200mm
Height (Above Surface):	830mm	Fixing hole diameter:	12mm
Size:	89 x 89mm	Number of fixings:	4
Wall Thickness:	5mm	Footing width:	400 x 400mm
Weight:	16kg	Footing depth:	500mm

SSCA-12

STANDARD SQUARE COLLAPSIBLE BOLLARD